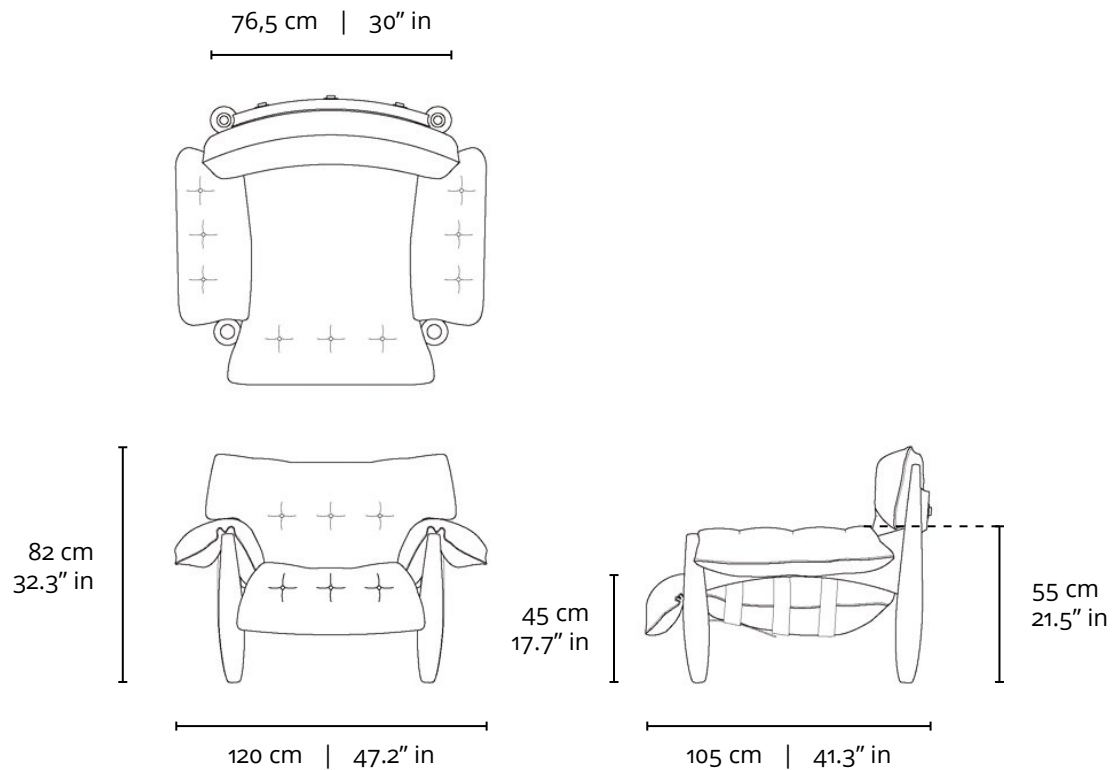


MOLE ARMCHAIR

1961



PRODUCT INFO

DIMENSIONS

- 120 x 105 x 82h (cm)
- 47.2" x 41.3" x 32.3"h (inches)*

PRODUCT DESCRIPTION

- Solid wood frame.
- Over-sized cushion filled with silicone fiber and foam flakes.
- Adjustable natural leather straps, lathed wooden buttons.

* The inch measurements are approximate for better picturing the dimensions. Only the centimeters measurements are accurate.

INFO



"This Sergio Rodrigues furniture line is licensed to and commercialized exclusively by LinBrasil Ltda and is protected by patent laws and legal sanctions under both criminal and civil codes. Legal proceedings may be instituted against any parties breaching the rights of LinBrasil."



For more information on our warranty policy please access:

www.linbrasil.com.br > FAQ

Questions about this product? Please contact us by e-mail:
contato@linbrasil.com.br

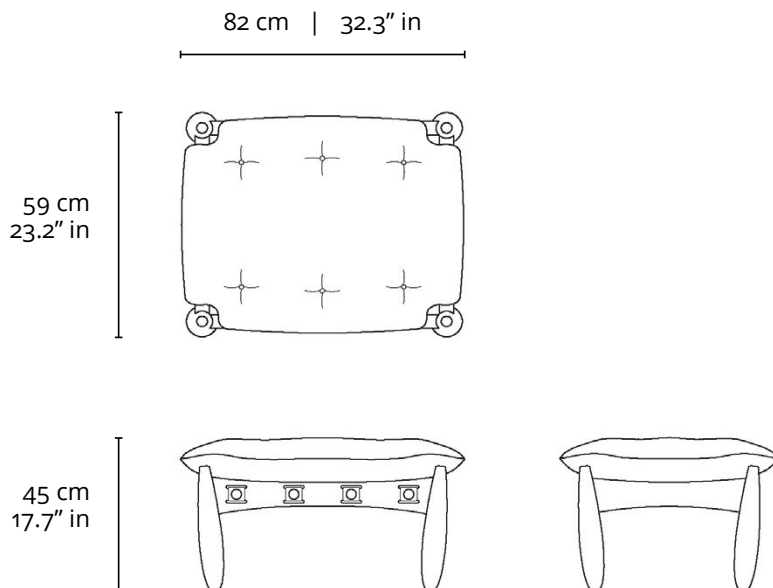
LinBrasil

SERGIO RODRIGUES
ORIGINAL LICENSED PRODUCTS SINCE 2002

LinBrasil Licensed by Sergio Rodrigues © Todos os direitos reservados.

MOLE FOOTSTOOL

1961



PRODUCT INFO

DIMENSIONS

- 82 x 59 x 45h (cm)
- 32.3" x 23.2" x 17.7"h (inches)*

PRODUCT DESCRIPTION

- Solid wood frame.
- Loose cushion filled with silicone fiber and foam flakes.
- Adjustable natural leather straps, lathed wooden buttons.

* The inch measurements are approximate for better picturing the dimensions. Only the centimeters measurements are accurate.

INFO



"This Sergio Rodrigues furniture line is licensed to and commercialized exclusively by LinBrasil Ltda and is protected by patent laws and legal sanctions under both criminal and civil codes. Legal proceedings may be instituted against any parties breaching the rights of LinBrasil."



For more information on our warranty policy please access:

www.linbrasil.com.br > FAQ

Questions about this product? Please contact us by e-mail:
contato@linbrasil.com.br

LinBrasil

SERGIO RODRIGUES
ORIGINAL LICENSED PRODUCTS SINCE 2002

LinBrasil Licensed by Sergio Rodrigues © Todos os direitos reservados.