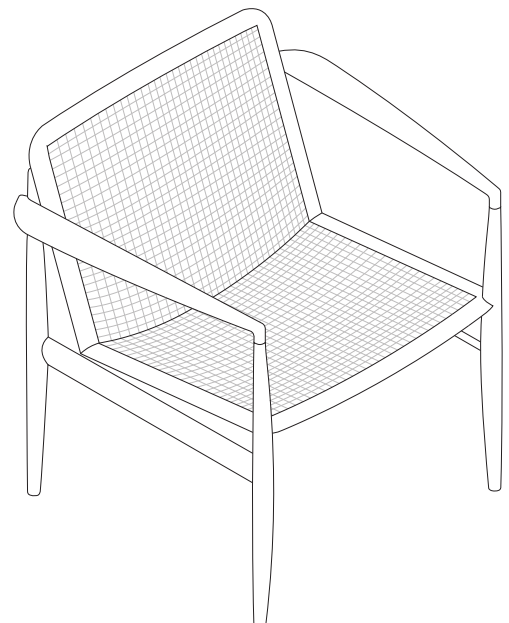
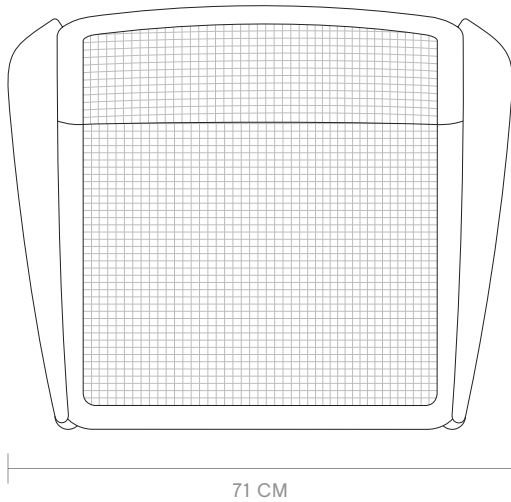
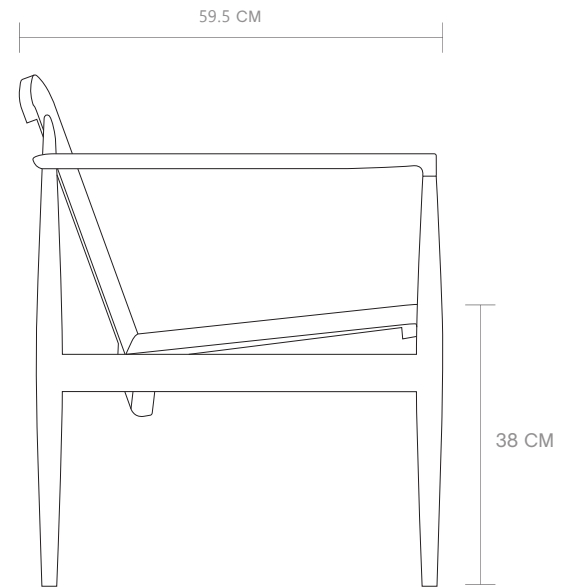
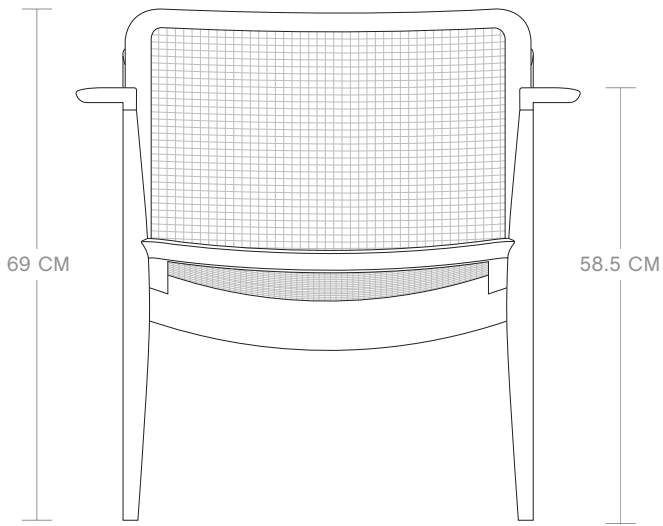




Tangāli Modular Chair - Both Arms
Technical Specification Sheet

+91 77603 29900
info@phantomhands.in
phantomhands.in

Phantom Hands

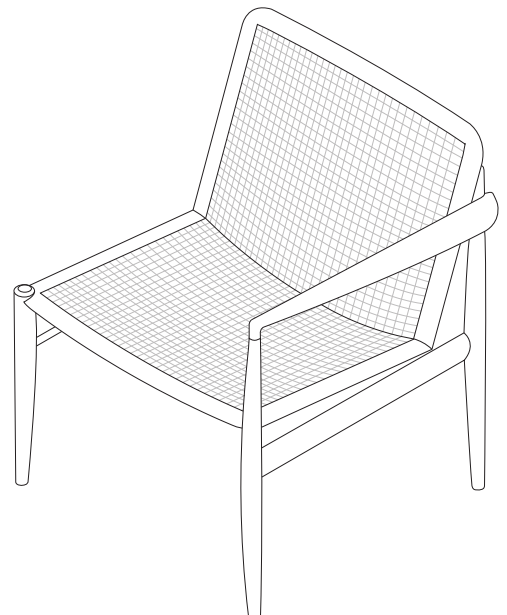
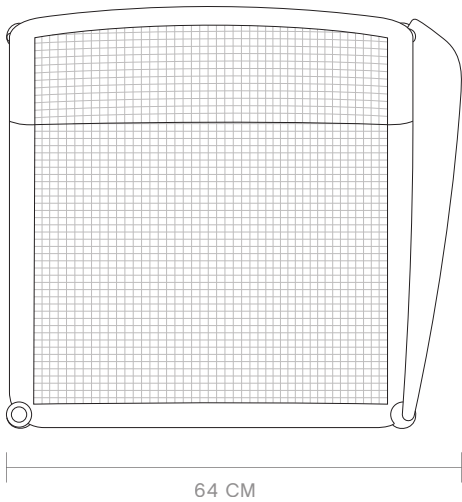
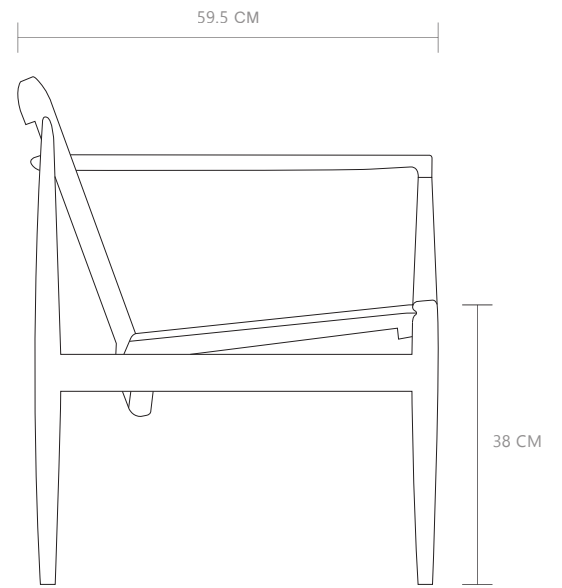
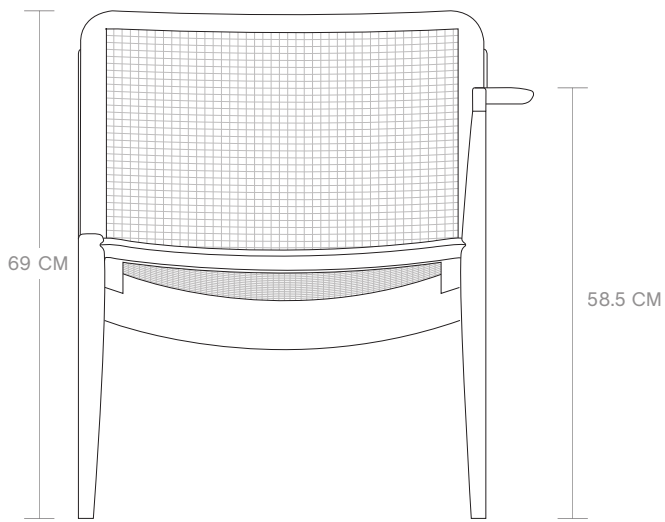




Tangāli Modular Chair - One Arm
Technical Specification Sheet

+91 77603 29900
info@phantomhands.in
phantomhands.in

Phantom Hands





Tangāli Modular Chair - Armless
Technical Specification Sheet

+91 77603 29900
info@phantomhands.in
phantomhands.in

Phantom Hands

